

---

**ORIGINAL SERIES**

**V3021D**

**V3621D**

# **ASSEMBLY GUIDE**

**NITURRA**

VANITY | SINK | FAUCET

---

---

# NOTICE

---

- Please read this assembly guide thoroughly and carefully before assembly
- Please ensure your assembly area is clear of any debris or sharp objects which could scratch or damage the cabinet.
- Our cabinets are treated with paint, which can be fire hazardous, please avoid storing in areas with high temperature or near the fire.
- Please take caution with small parts inside the package, losing or misplacing them could affect your overall assembly
- We recommend using power tools (ie: drill, pneumatic nail gun, etc) for your assembly. This will facilitate your assembly experience.
- In event of missing or damaged/defective parts not caused by wear-and-tear, please contact our authorized dealer for assistance and we apologize for any inconvenience.
- If you are not a professional or have no prior experience in cabinet assembly. We advise excessive caution and follow closely to this assembly guide.

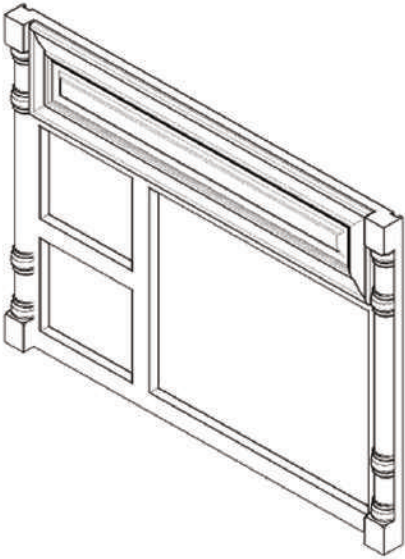
---

## NOTICE

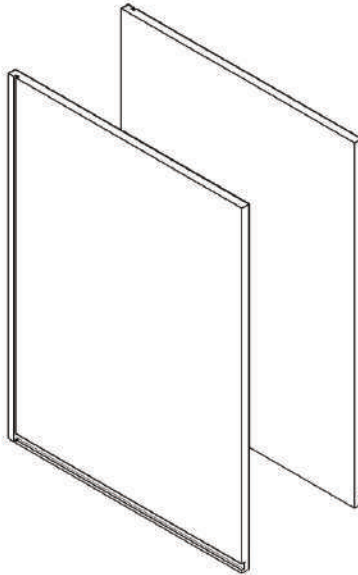
---

- 在安装开始前，请仔细阅读声明页
- 保证您的安装场地清洁，以免引起不必要的木制品划伤
- 我们的产品均为喷漆产品，且属于易燃品，请勿放置高温，明火附近
- 请妥善放置包装箱内的每个部件，如果某个部件找不到，可能会导致您的卫浴柜无法安装
- 在安装过程中，建议您使用电动类工具（如电动螺丝刀，电动钉枪），可以为您节约更多时间，但也请您当心使用，避免受伤
- 一旦遇到缺件，非人为损坏的情况，请联系我们的经销商为您及时补货，对此给您带来的不便，我们深感抱歉
- 若您非专业安装工，请您严格按照说明书进行边柱式卫浴柜安装

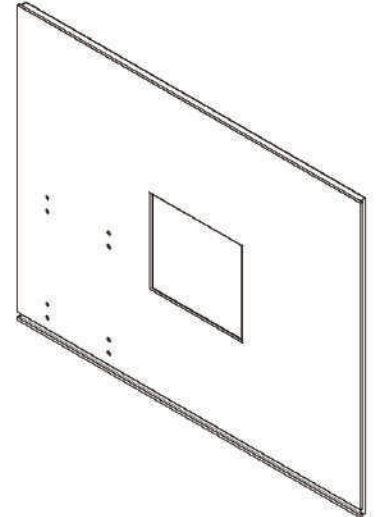
# MATERIAL LIST



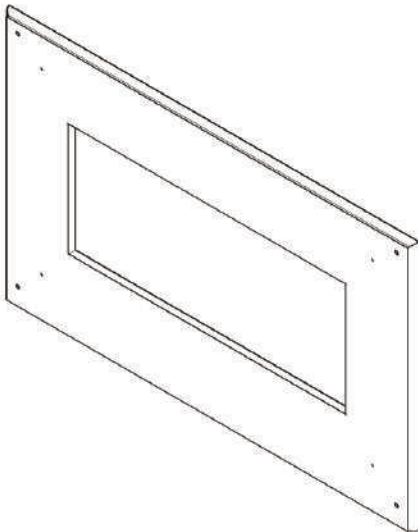
Face Frame



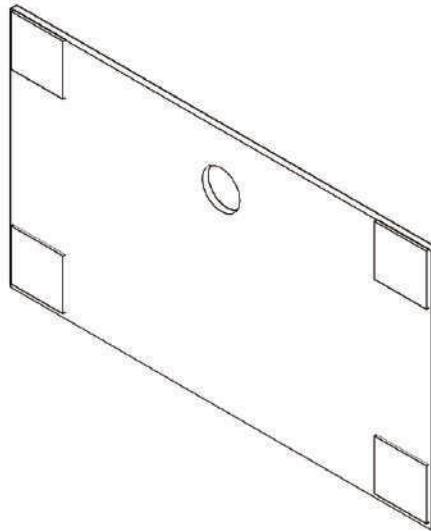
Side Panel



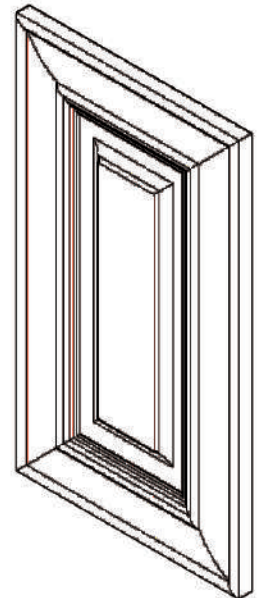
Back Panel



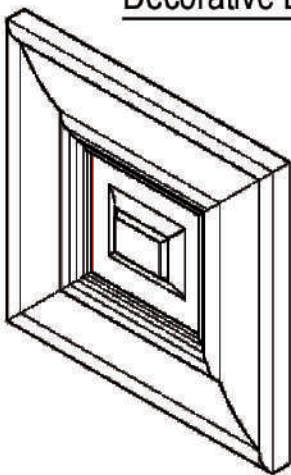
Decorative Bottom



Bottom Panel



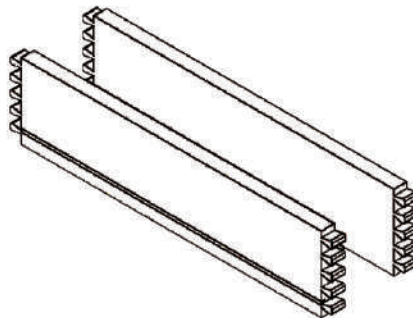
Door Face



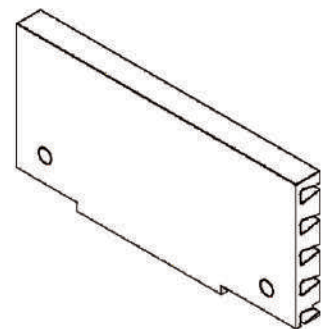
Drawer Face



Drawer Bottom Panel



Drawer Side Panel

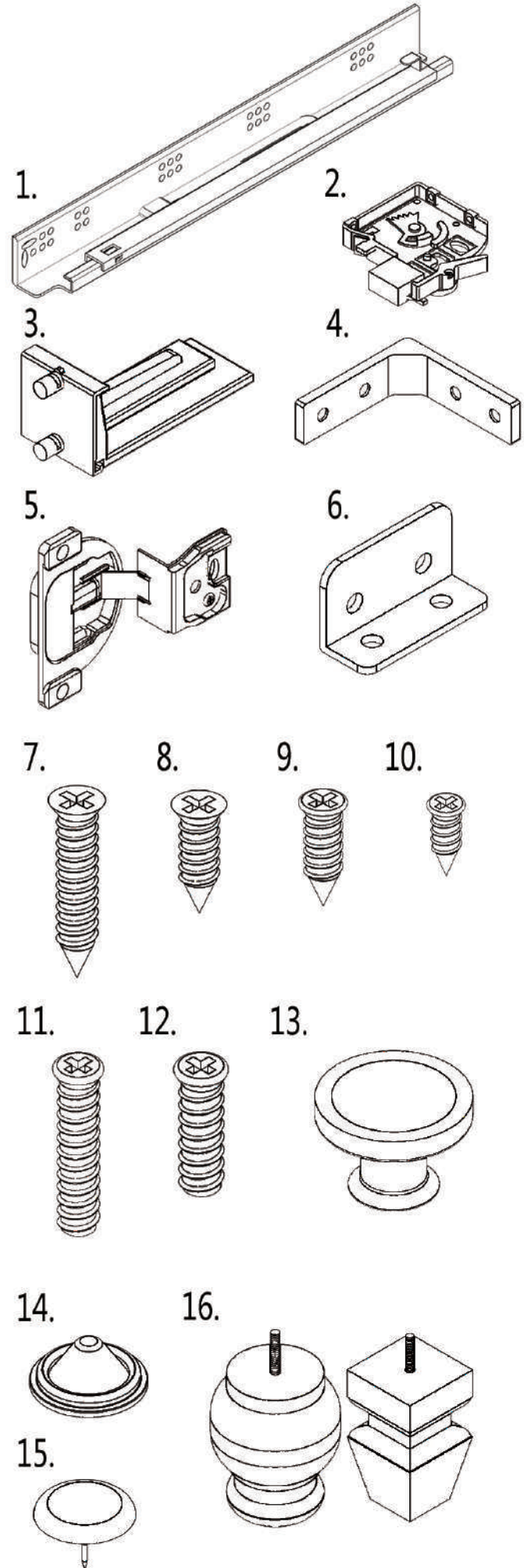


Drawer Back Panel

# MATERIAL LIST

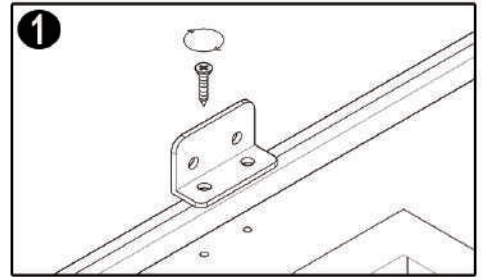
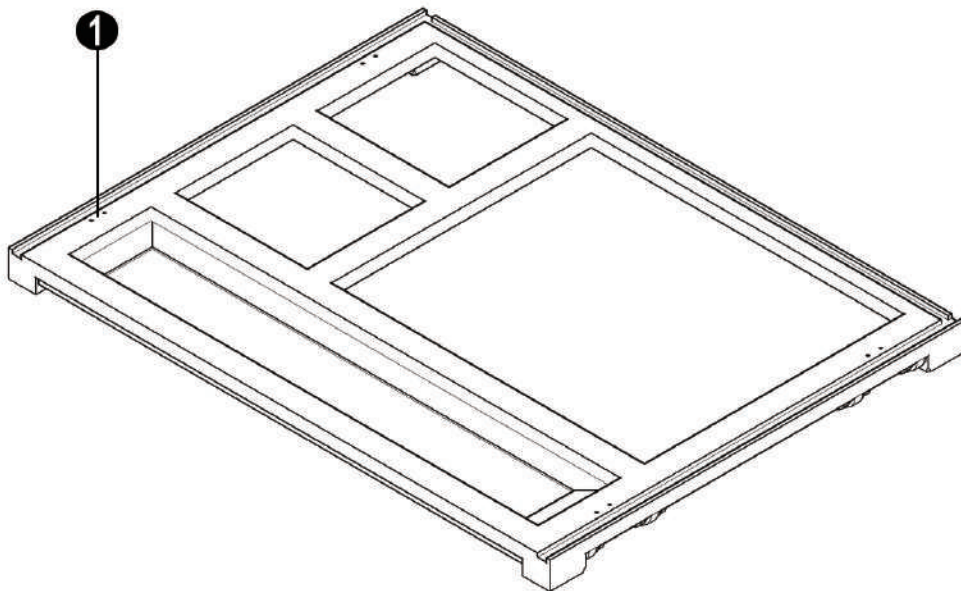
NO.	Item	Quantity			
		24"	30"	36"	48"
1	Drawer Glide	0	4	4	12
2	Drawer Glide Connector	0	4	4	12
3	Back Brackets	0	4	4	12
4	Support Brackets	4	4	4	4
5	Door Hinge	4	2	4	4
6	L-Shape Connector Clip	4	6	6	6
7	11/8"Philips Screw	4	4	4	4
8	5/8"Philips Screw	20	18	24	32
9	1/2"Philips Screw	24	24	24	24
10	1/4"Philips Screw	0	8	8	24
11	11/4"Machine Screw	0	2	2	6
12	7/8"Machine Screw	3	2	3	3
13	Knob	3	4	5	9
14	Bumpers	4	6	8	16
15	Leg Pad	4	4	4	4
16	Leg(■ or ●)	4	4	4	4

- Items 11, 12, 13 are not provided in this product , please don' t forget to have them ready prior to your assembly.



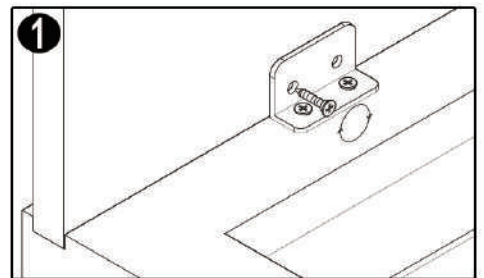
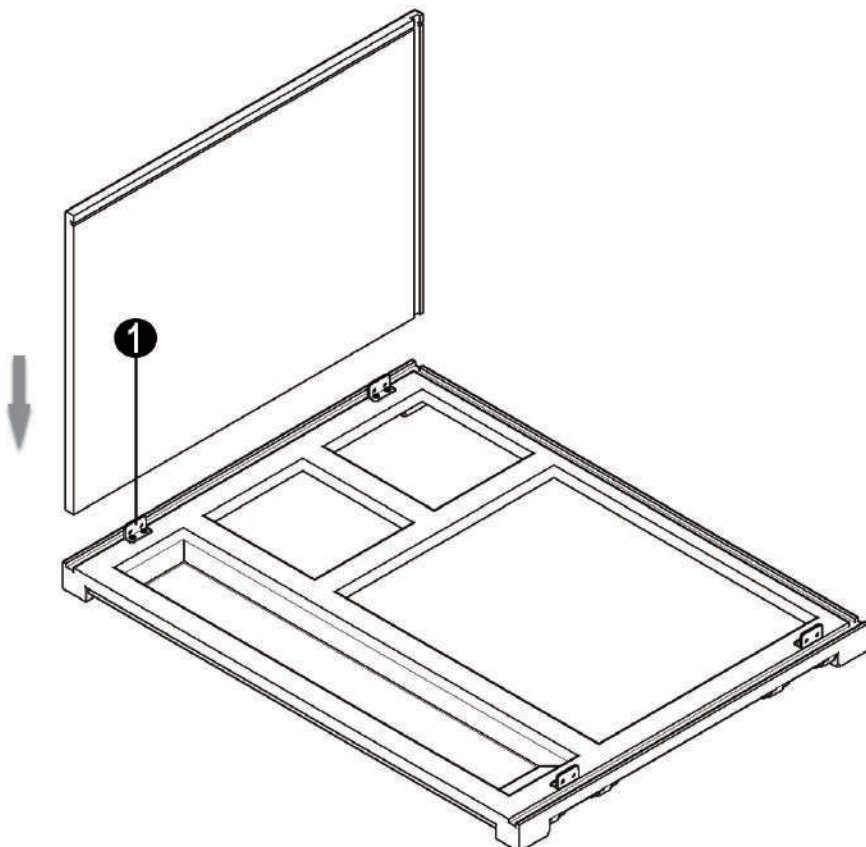
# INSTRUCTION

## STEP 1



- ▶ Place the face frame in a face down position to a flat surface. Secure the L-Shape connector clip with 1/2" Philips screws to the pre-drilled holes # 1
- ▶ 将前框正面朝下放置于水平地面，然后在五金包内找到直角角码，用1/2" 圆头螺丝钉与1中预留眼固定，同理将其余三个直角角码固定好

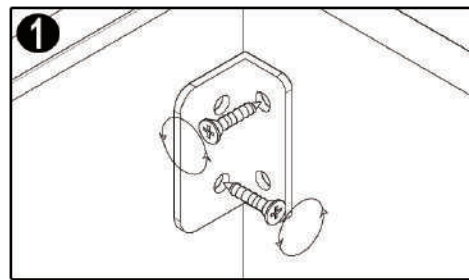
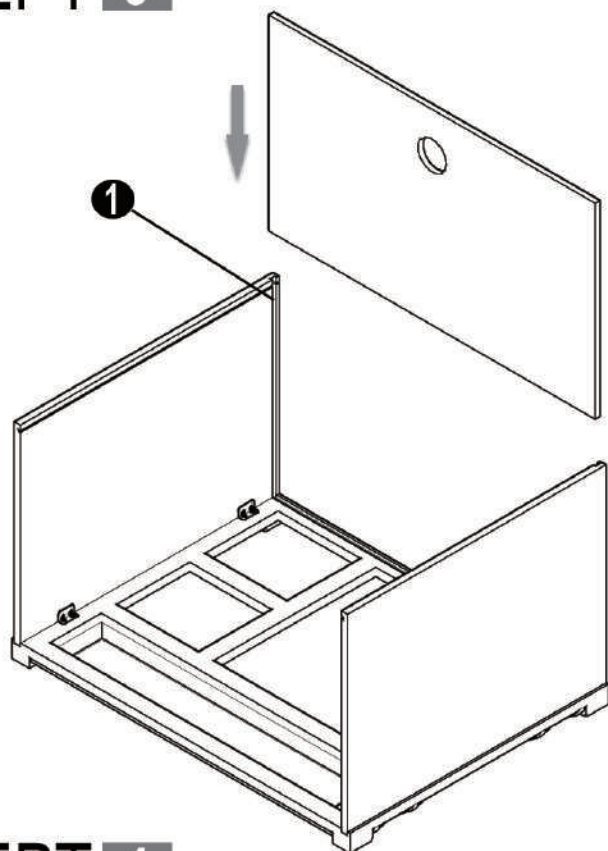
## STEP 2



- ▶ As show in this picture, slide the side panel into the face frame's groove located on the left or right. Then, secure the side panel to the L-shape connector clip #1 using 1/2" Philips screws. Repeat this step for the other side panel.
- ▶ 如图示中侧板有槽面朝内，并插入前框侧板槽中，参考图 1 用1/2" 圆头螺丝钉固定侧板；同理将另外一块侧板用同样方法固定好

# INSTRUCTION

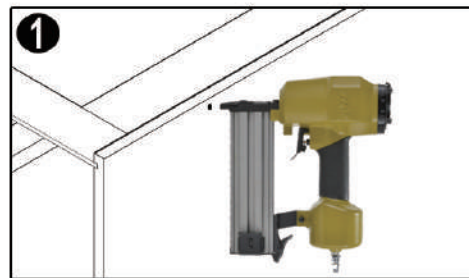
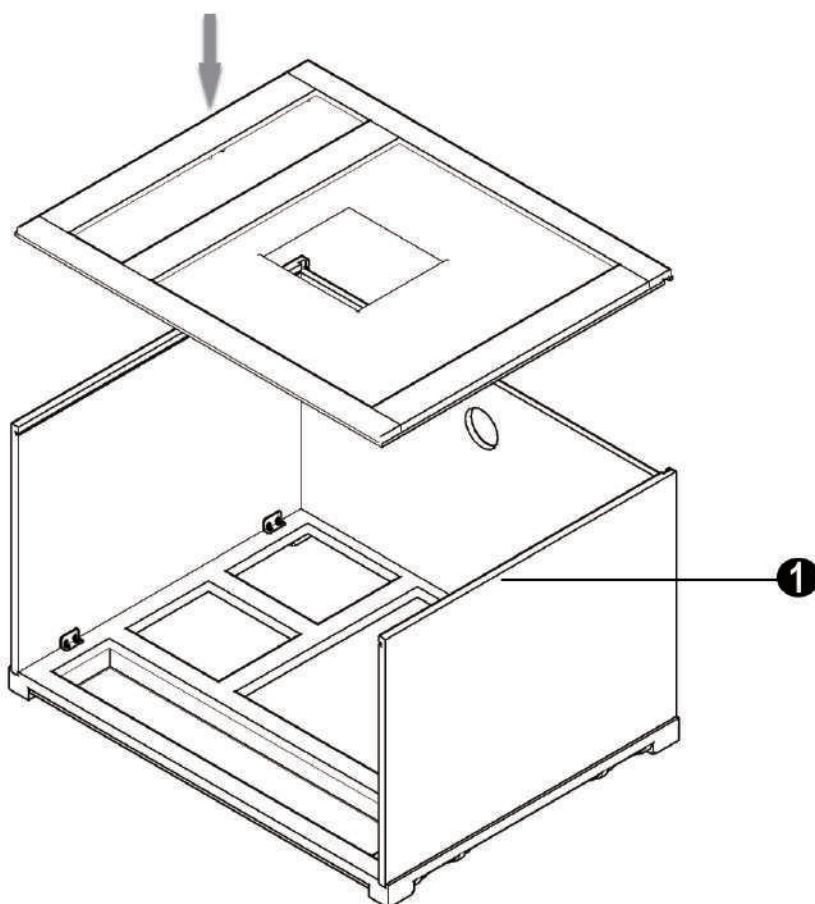
## STEP 3



► After securing both side panels, slide the bottom panel to both side panels' grooves and make sure its fully inserted. Then secure the bottom panel with the side panels using a L-shape connector clip. Please repeat this step for the opposite side.

► 安装完两块侧板后，取出底板（如图示），顺着侧板插入，并轻拍入槽点，使完全嵌入槽内；之后如图 ❶ 所示，在侧板与底板交接处任意位置通过直角角码用  $\frac{1}{2}$ " 圆头螺丝钉固定，另一侧同理

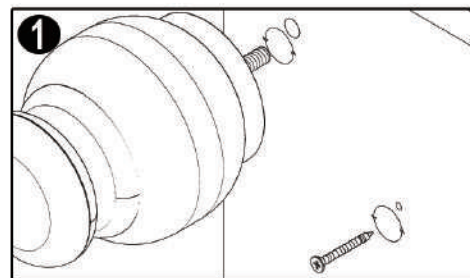
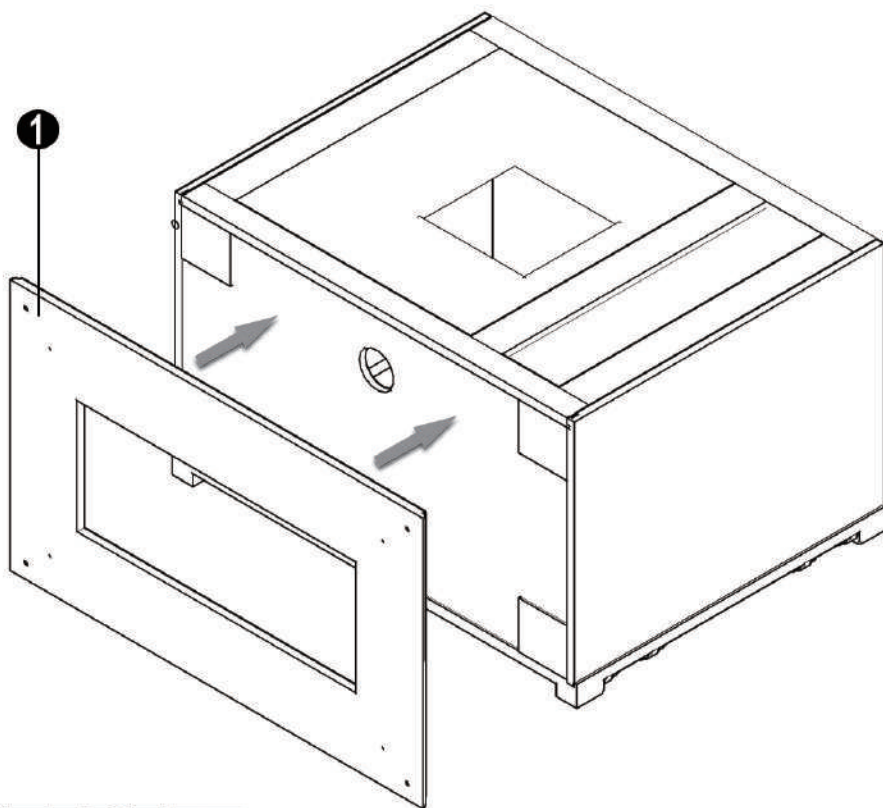
## STEP 4



► Now slide the back panel to the back grooves of the side panel. Make sure its fully inserted, then nail the side panel to the back panel. (About  $\frac{1}{6}$  to  $\frac{1}{4}$  inches from the end of the side panel, see picture # ❶). We suggest three nails per side panel.

► 底板安装固定后，取出背板（如图示），嵌入侧板槽内，请注意：背板有槽位置，需将底板嵌入其中；根据图 ❶ 所示位置（离侧板边5-7mm）打入适当的枪钉（建议均分三根即可）

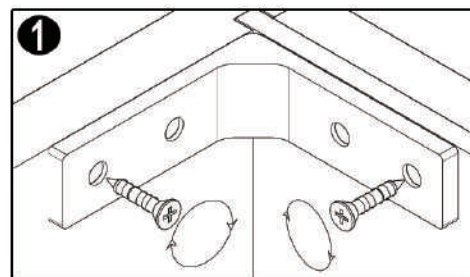
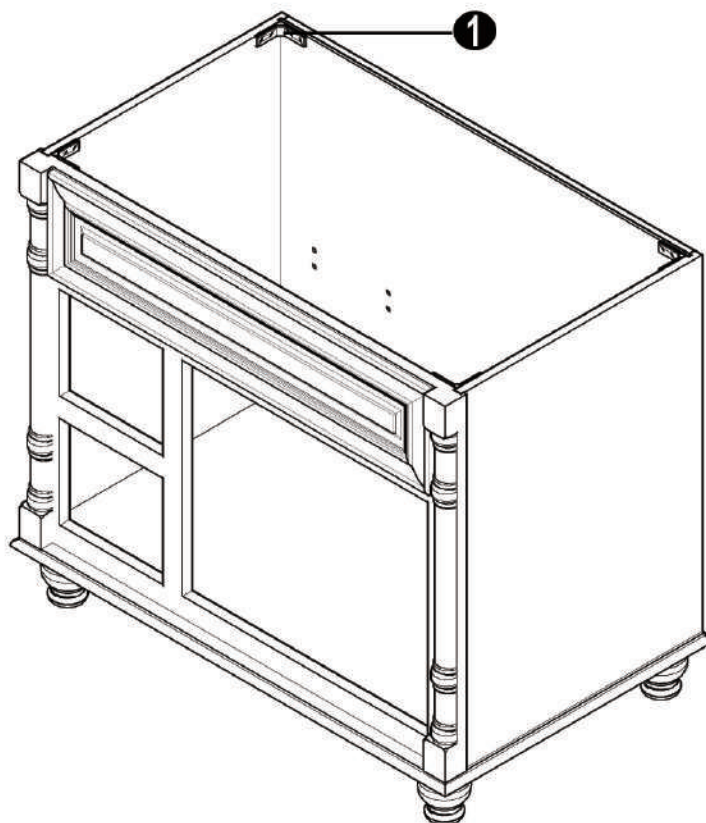
## STEP 5



► Secure the decorative bottom panel to the bottom panel previously installed. Secure them using 1 1/8" Philips screws to the pre-drilled holes on the back panel. Then installed the cabinet legs to the decorative bottom panel.

► 背板固定后，取出底装饰板（如图示），与底板对其后，按照 ❶ 所示，用 1 1/8" 螺丝钉与底板预留眼固定；踢脚采用子母螺丝结构，如 ❶ 所示顺时针旋转拧紧即可

## STEP 6

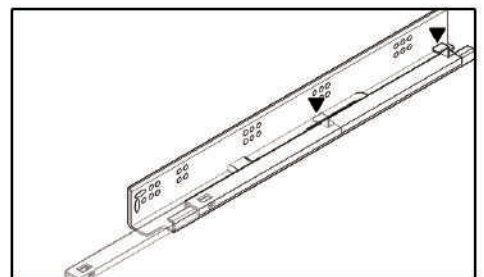
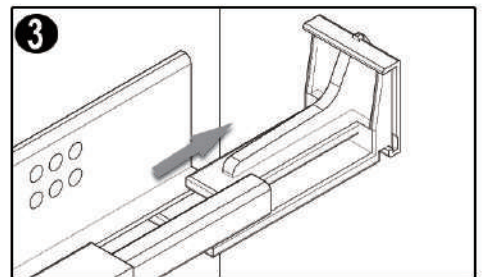
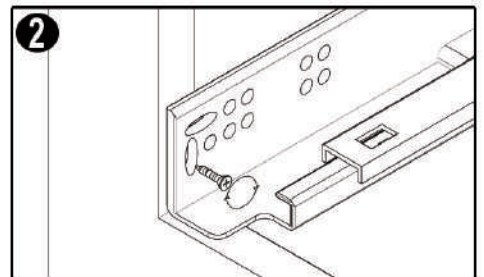
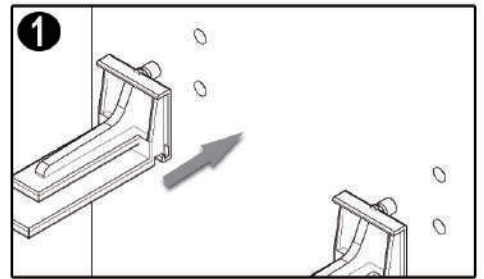
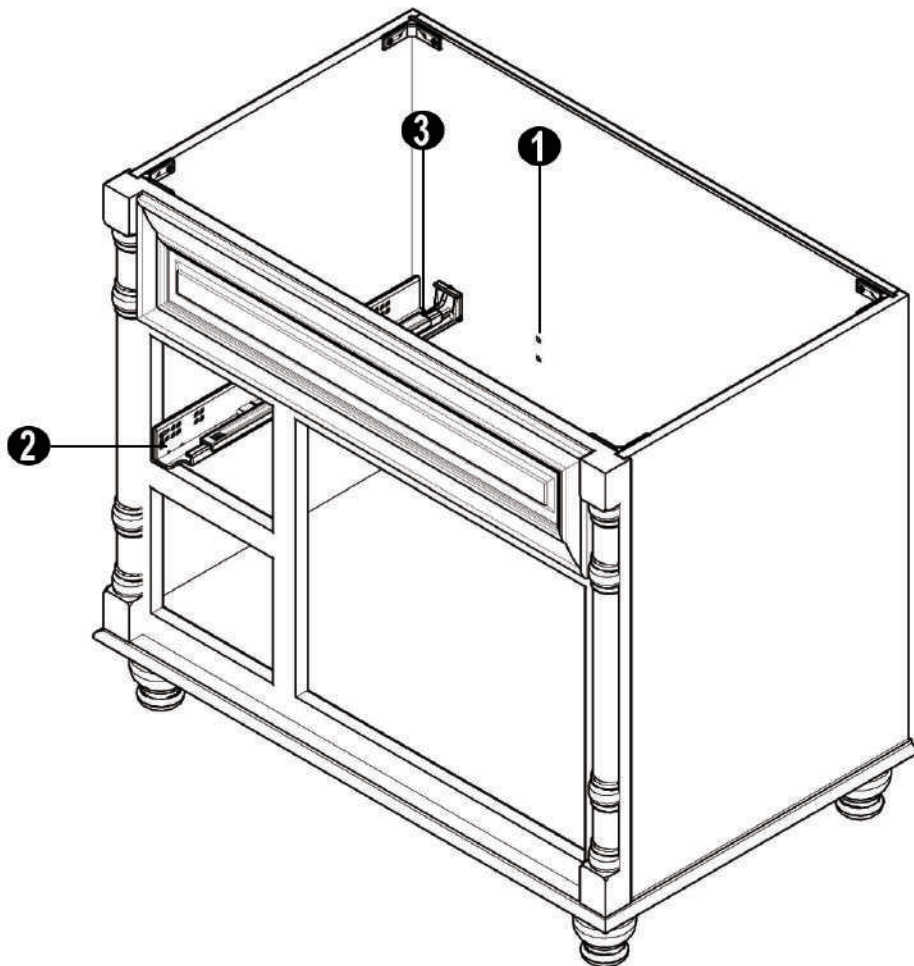


► Turn the cabinet box to the standing position. Secure the top four corners using the "Support Brackets". Use 5/8" Philips screws. Two screws per bracket will be enough.

► 踢脚安装好后，将其立放，在五金包内取出柜体连接件，如 ❶ 图示，使其与柜体顶端齐平，用 5/8" 螺丝钉使其与柜体固定，可以如 ❶ 图只用两个螺丝，也可四个全用



## STEP 7



Picture shown is the complete set of the drawer glide. Part shown as semi-transparent indicates this object is movable, which will help in identifying in the following step.

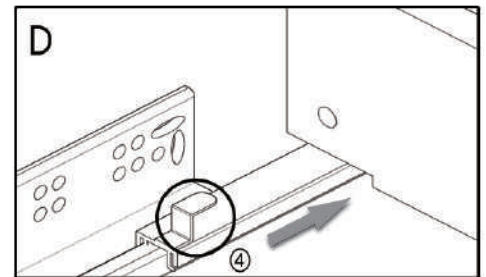
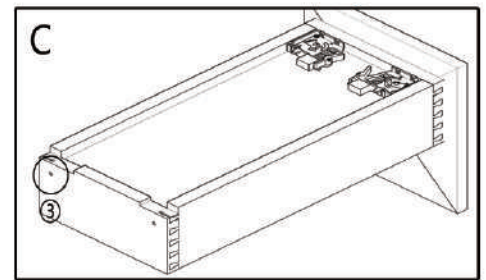
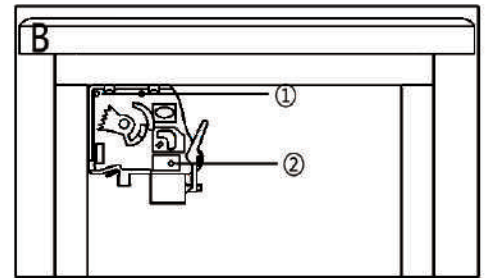
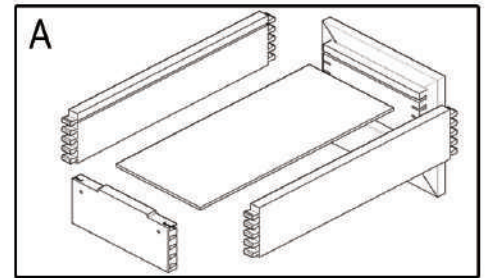
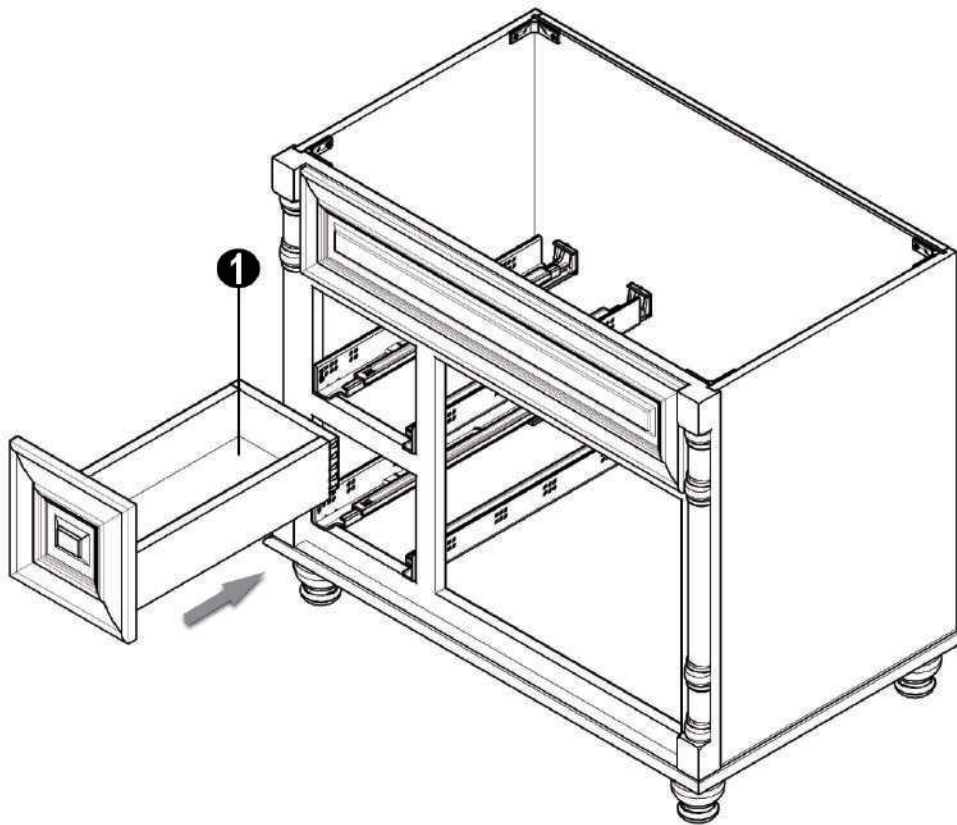
图示为阻尼滑轨示意图，半透明部分代表该部件可移动，在安装抽屉时会用到到三角所指部件

► After securing the four corners with brackets. Attach the back bracket to the pre-drilled holes on the back panel. Then, as shown on # 1 slide the U-shape end of the drawer glide into the back bracket, adjust the depth accordingly. Lastly, secure the front end of the drawer glide to the face frame using 5/8" Philips screws. Make sure the front of the drawer glide is recessed approx. 3mm from the face frame. (Not flushed with the face frame)

► 四角固定后，根据 1 图所示，将滑轨后托件嵌入背板预留眼内；然后如 3 图所示，将滑轨尾部U型槽插入后托件内，根据实际情况决定深浅；最后如 2 图所示，用 5/8" 螺丝钉将滑轨与前框固定，滑轨前端比前框外边短大约3mm

## STEP 8

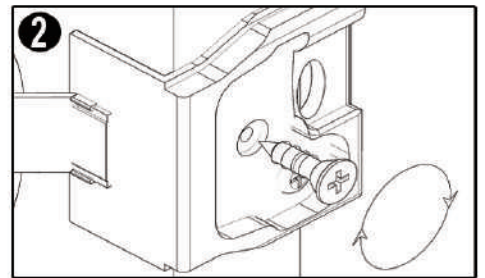
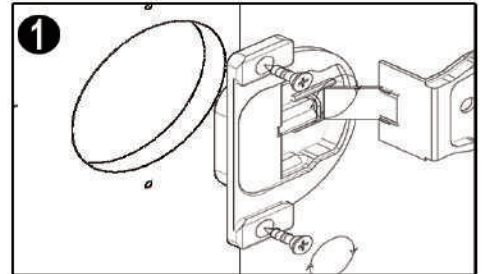
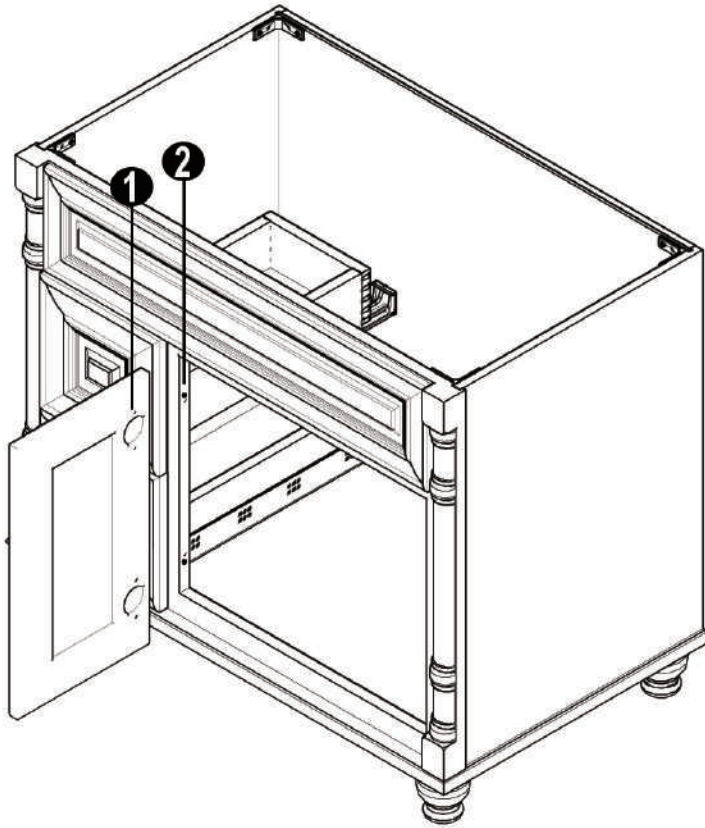
### ① Assembling the drawer box



► After securing the drawer glides to the cabinet box. Assemble the dove-tailed drawer box. Properly secure the dove-tailed drawer box panels with each other. Attach the drawer glide connectors underneath the drawer box as shown on #B (Two connectors per drawer box as shown on #C). Secure the connectors using screws at the location shown #① and #② on picture B. Then, position the hole (Picture C, #③) on the back of the drawer box and insert it to the movable glide mentioned in Step 7 (Refer to Picture D, #④). Once inserted, push the drawer box all the way into the cabinet box, the drawer assembly is complete.

► 将滑轨与柜体固定后，先安装抽屉，抽屉采用燕尾榫结构，如图A所示4个部件组合固定即可；将组合好的抽屉底面朝上，取出抽屉底板连接件（如图B所示部件），分别于图示所指①，②位置用其包装内最小螺丝钉固定（该部件相关为独立包装）；安装完两个对称的抽屉底板连接件后，参照图C中圆圈标示的预留孔③与图D中圆圈标示的滑轨部件④（该部分可移动，请参考STEP 7 中的滑轨参考），将④嵌入③中，另一个同理，至此将抽屉推进柜体内，安装完成

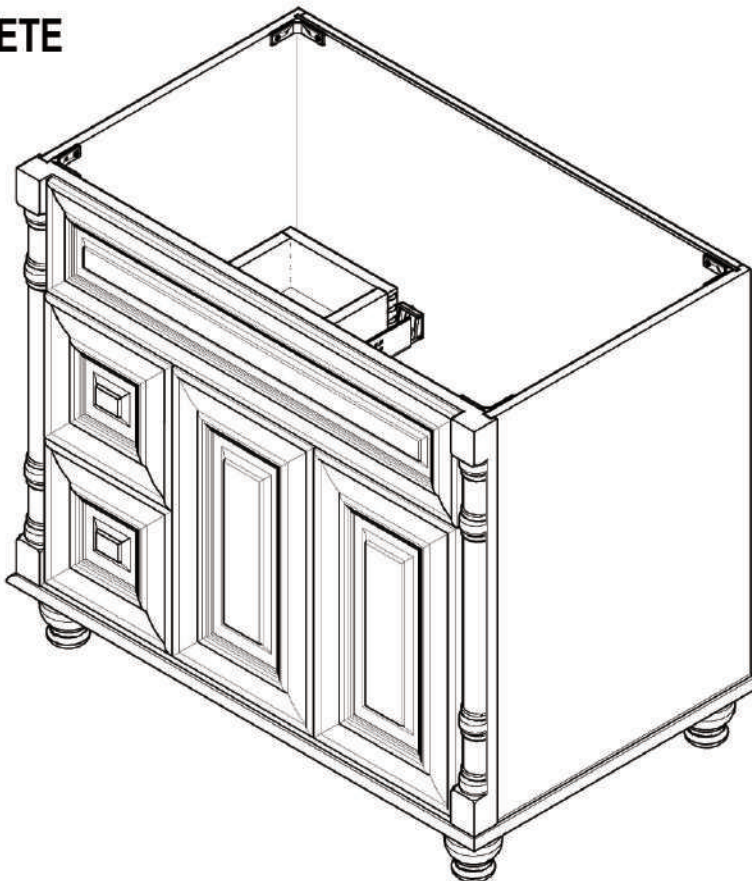
## STEP 9



► Last step, install the doors to the face frame using provided hinge shown on # ❶ and # ❷. Using 5/8" Philips screws, attach one end of the hinge to the pre-drilled hole on the door and attach the other end of the hinge to the pre-drilled hole on the face frame.

► 进行最后一步，安装门板，参照图❶所示预留眼，用5/8" 螺丝钉将铰链与门板固定；再参照图❷将铰链另一端与前框预留眼用5/8" 螺丝钉拧紧固定...至此卫浴柜安装完成

## COMPLETE





More Information [www.niturra.com](http://www.niturra.com)