

ASSEMBLY GUIDE

NITURRA

VANITY | SINK | FAUCET

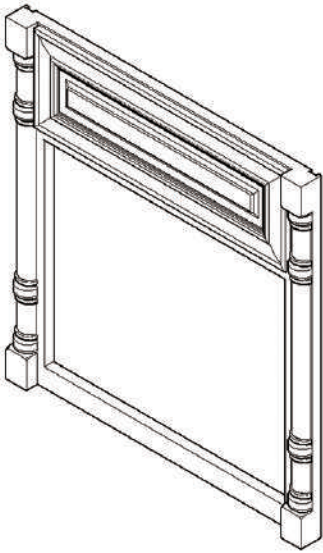
NOTICE

- Please read this assembly guide thoroughly and carefully before assembly
- Please ensure your assembly area is clear of any debris or sharp objects which could scratch or damage the cabinet.
- Our cabinets are treated with paint, which can be fire hazardous, please avoid storing in areas with high temperature or near the fire.
- Please take caution with small parts inside the package, losing or misplacing them could affect your overall assembly
- We recommend using power tools (ie: drill, pneumatic nail gun, etc) for your assembly. This will facilitate your assembly experience.
- In event of missing or damaged/defective parts not caused by wear-and-tear, please contact our authorized dealer for assistance and we apologize for any inconvenience.
- If you are not a professional or have no prior experience in cabinet assembly. We advise excessive caution and follow closely to this assembly guide.

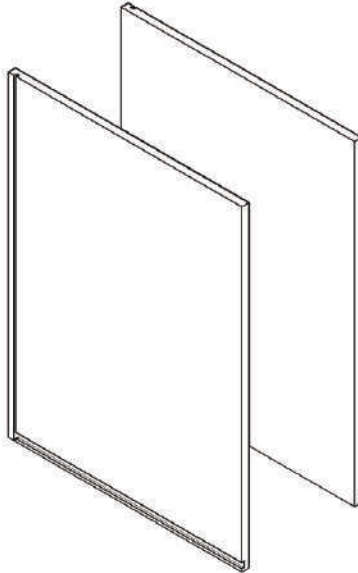
NOTICE

- 在安装开始前，请仔细阅读声明页
- 保证您的安装场地清洁，以免引起不必要的木制品划伤
- 我们的产品均为喷漆产品，且属于易燃品，请勿放置高温，明火附近
- 请妥善放置包装箱内的每个部件，如果某个部件找不到，可能会导致您的卫浴柜无法安装
- 在安装过程中，建议您使用电动类工具（如电动螺丝刀，电动钉枪），可以为您节约更多时间，但也请您当心使用，避免受伤
- 一旦遇到缺件，非人为损坏的情况，请联系我们的经销商为您及时补货，对此给您带来的不便，我们深感抱歉
- 若您非专业安装工，请您严格按照说明书进行边柱式卫浴柜安装

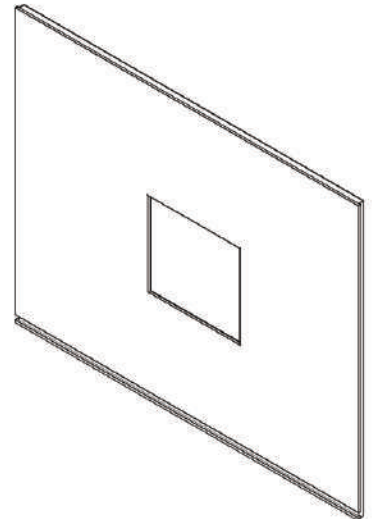
MATERIAL LIST



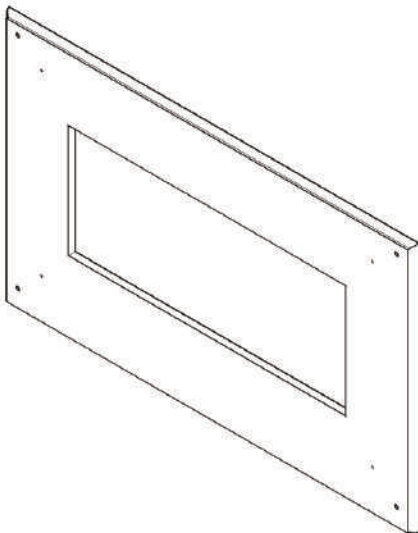
Face Frame



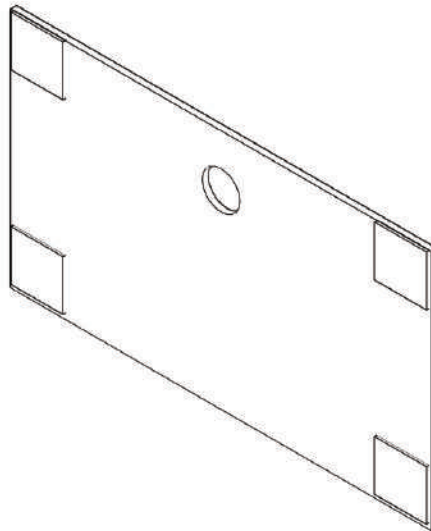
Side Panel



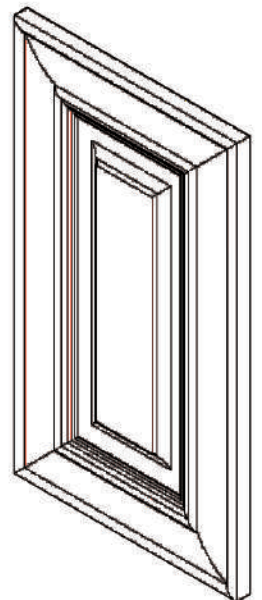
Back Panel



Decorative Bottom



Bottom Panel

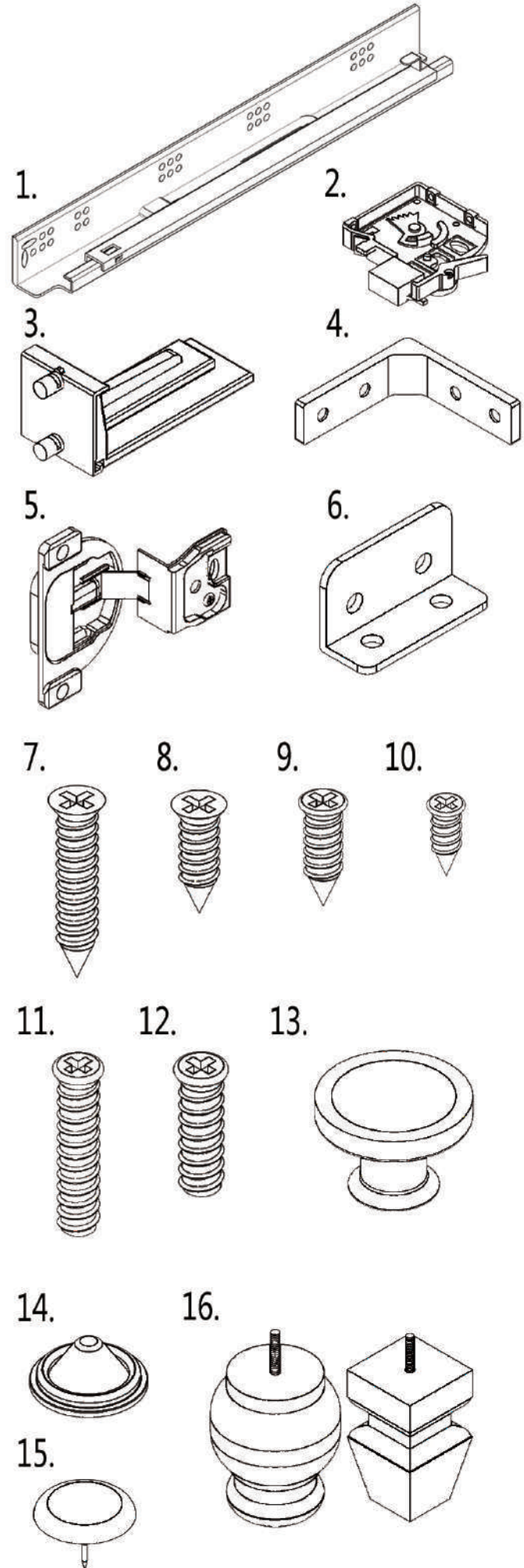


Door Face

MATERIAL LIST

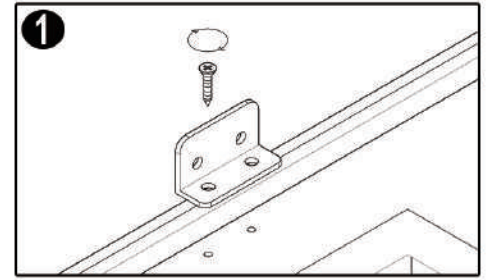
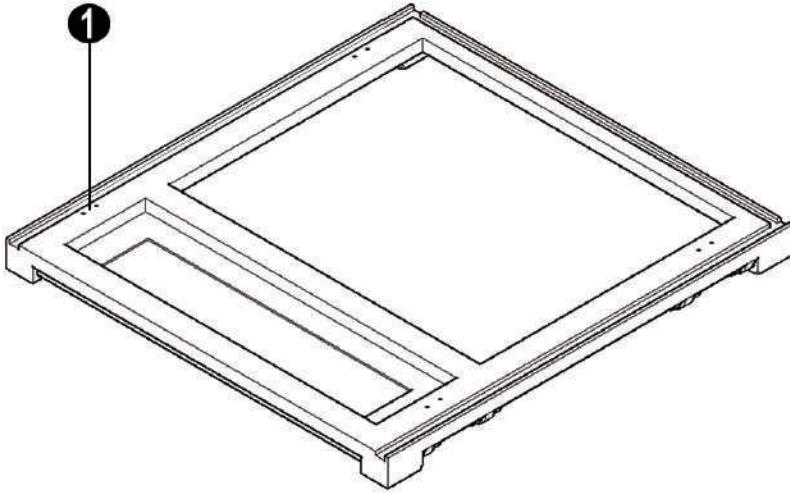
NO.	Item	Quantity			
		24"	30"	36"	48"
1	Drawer Glide	0	4	4	12
2	Drawer Glide Connector	0	4	4	12
3	Back Brackets	0	4	4	12
4	Support Brackets	4	4	4	4
5	Door Hinge	4	2	4	4
6	L-Shape Connector Clip	4	6	6	6
7	1 1/8" Philips Screw	4	4	4	4
8	5/8" Philips Screw	20	18	24	32
9	1/2" Philips Screw	24	24	24	24
10	1/4" Philips Screw	0	8	8	24
11	1 1/4" Machine Screw	0	2	2	6
12	7/8" Machine Screw	3	2	3	3
13	Knob	3	4	5	9
14	Bumpers	4	6	8	16
15	Leg Pad	4	4	4	4
16	Leg(■ or ●)	4	4	4	4

- Items 11, 12, 13 are not provided in this product , please don' t forget to have them ready prior to your assembly.



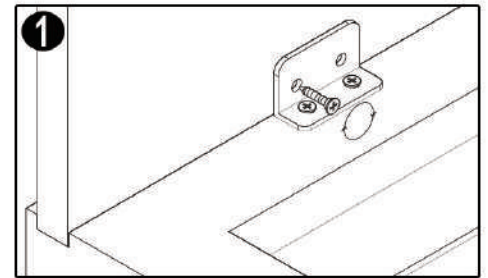
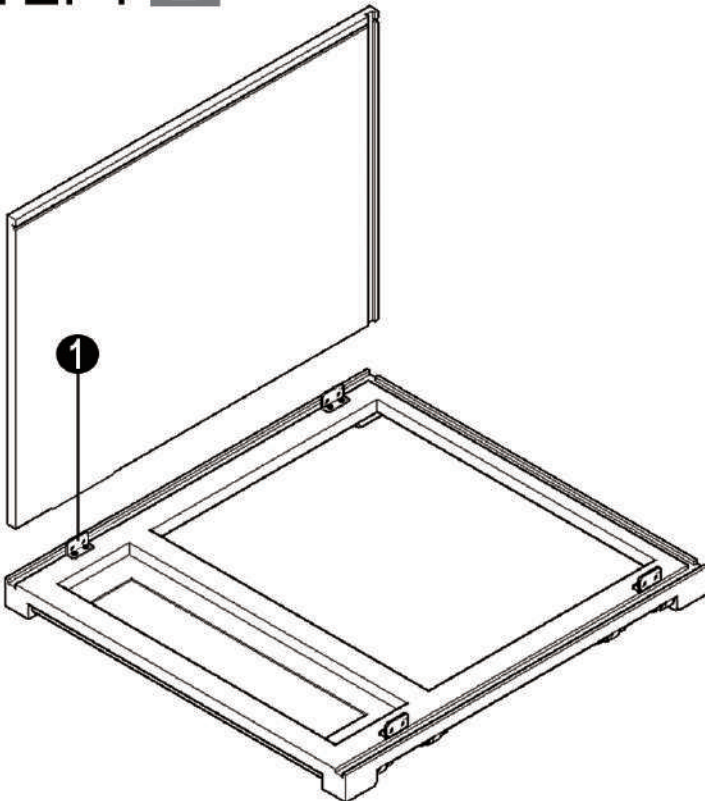
INSTRUCTION

STEPT 1



- ▶ Place the face frame in a face down position to a flat surface. Secure the L-Shape connector clip with 1/2" Philips screws to the pre-drilled holes # 1
- ▶ 将前框正面朝下放置于水平地面，然后在五金包内找到直角角码，用1/2" 圆头螺丝钉与1中预留眼固定，同理将其余三个直角角码固定好

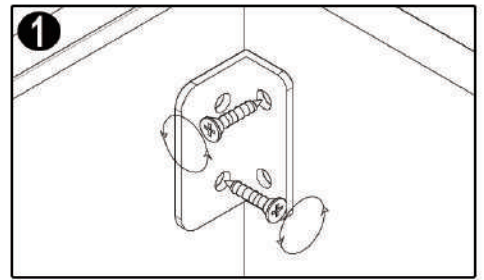
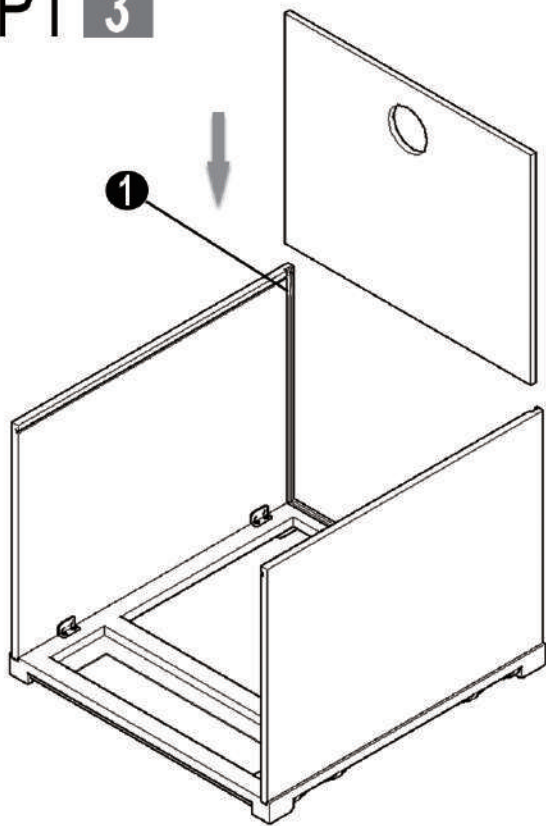
STEPT 2



- ▶ As show in this picture, slide the side panel into the face frame's groove located on the left or right. Then, secure the side panel to the L-shape connector clip #1 using 1/2" Philips screws. Repeat this step for the other side panel.
- ▶ 如图示中侧板有槽面朝内，并插入前框侧板槽中，参考图 1 用1/2" 圆头螺丝钉固定侧板；同理将另外一块侧板用同样方法固定好

INSTRUCTION

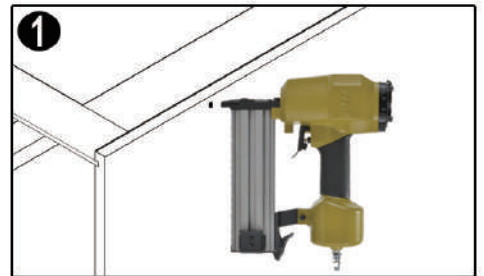
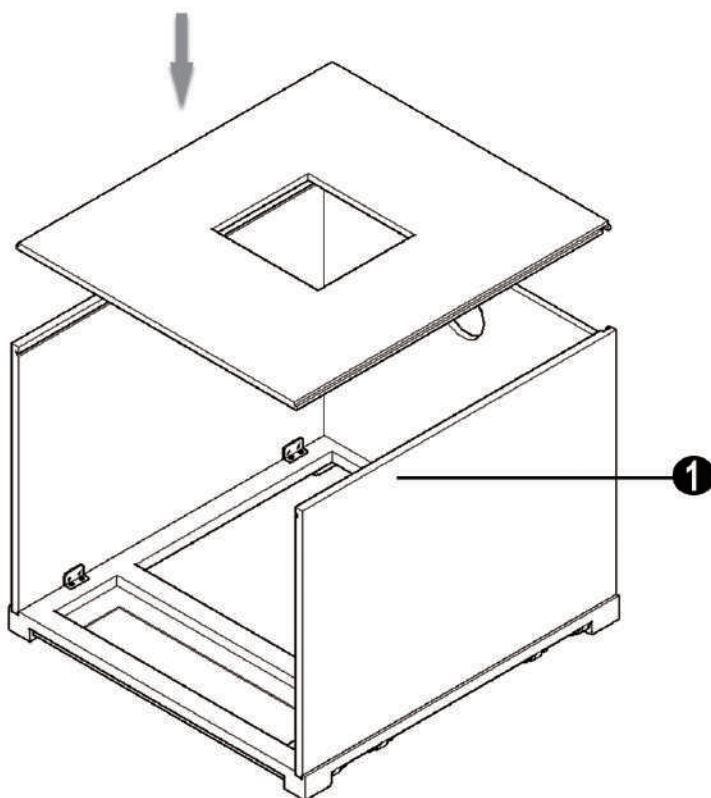
STEP 3



► After securing both side panels, slide the bottom panel to both side panels' grooves and make sure its fully inserted. Then secure the bottom panel with the side panels using a L-shape connector clip. Please repeat this step for the opposite side.

► 安装完两块侧板后，取出底板（如图示），顺着侧板插入，并轻拍入槽点，使完全嵌入槽内；之后如图 ❶ 所示，在侧板与底板交接处任意位置通过直角角码用 $\frac{1}{2}$ " 圆头螺丝钉固定，另一侧同理

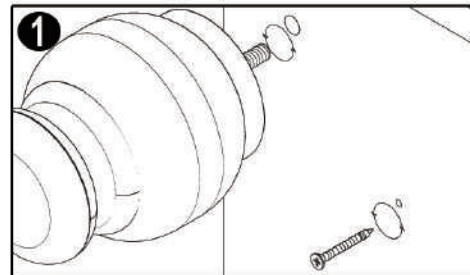
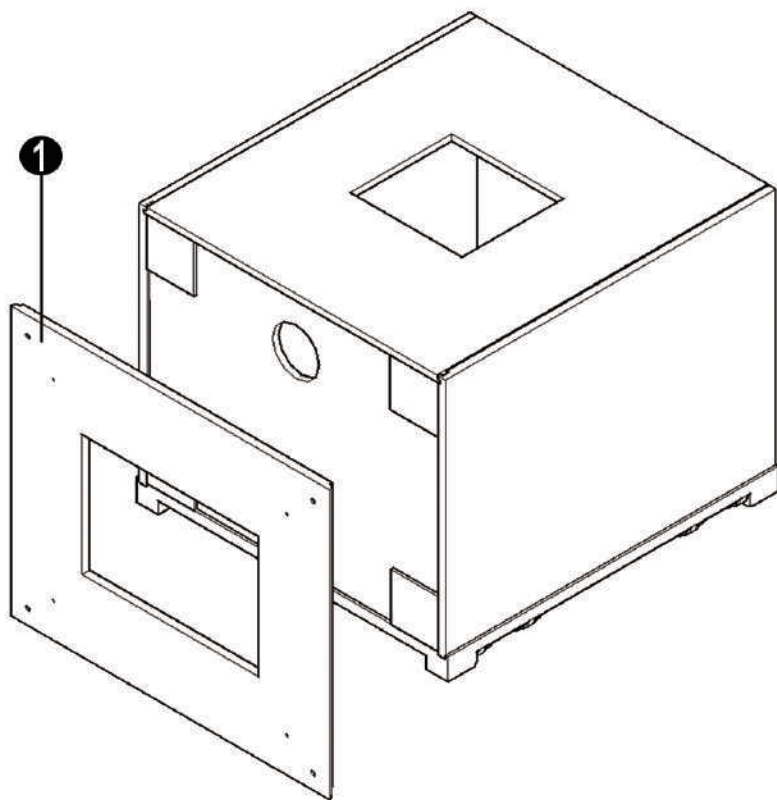
STEP 4



► Now slide the back panel to the back grooves of the side panel. Make sure its fully inserted, then nail the side panel to the back panel. (About 1/6 to 1/4 inches from the end of the side panel, see picture # ❶). We suggest three nails per side panel.

► 底板安装固定后，取出背板（如图示），嵌入侧板槽内，请注意：背板有槽位置，需将底板嵌入其中；根据图 ❶ 所示位置（离侧板边5-7mm）打入适当的枪钉（建议均分三根即可）

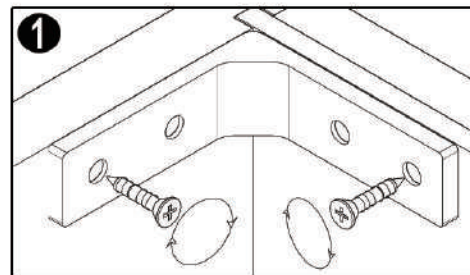
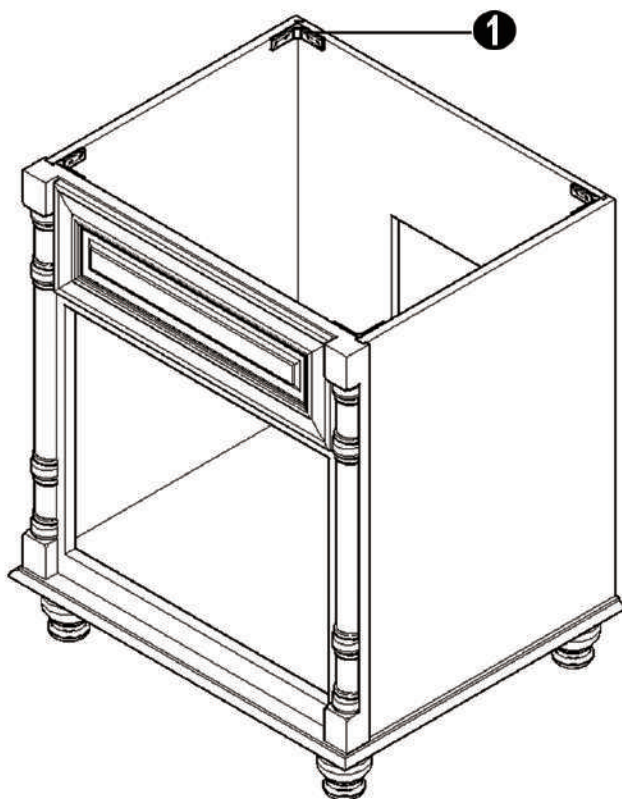
STEP 5



► Secure the decorative bottom panel to the bottom panel previously installed. Secure them using 1 1/8" Philips screws to the pre-drilled holes on the back panel. Then installed the cabinet legs to the decorative bottom panel.

► 背板固定后，取出底装饰板（如图示），与底板对其后，按照 ❶ 所示，用 1 1/8" 螺丝钉与底板预留眼固定；踢脚采用子母螺丝结构，如 ❶ 所示顺时针旋转拧紧即可

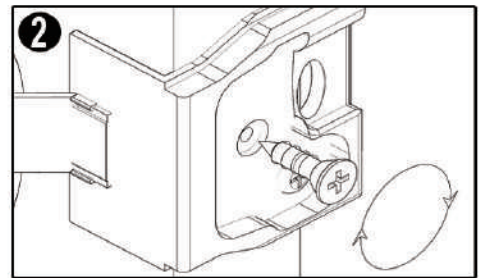
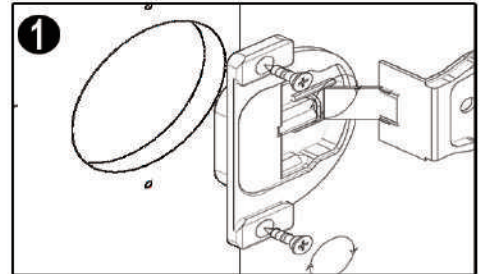
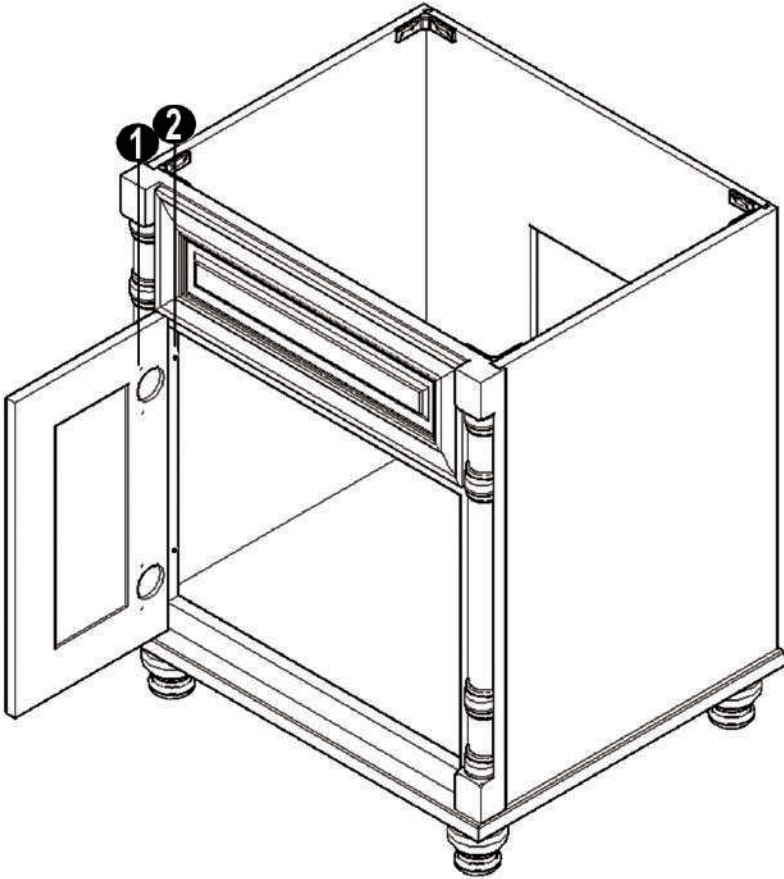
STEP 6



► Turn the cabinet box to the standing position. Secure the top four corners using the "Support Brackets". Use 5/8" Philips screws. Two screws per bracket will be enough.

► 踢脚安装好后，将其立放，在五金包内取出柜体连接件，如 ❶ 图示，使其与柜体顶端齐平，用 5/8" 螺丝钉使其与柜体固定，可以如 ❶ 图只用两个螺丝，也可四个全用

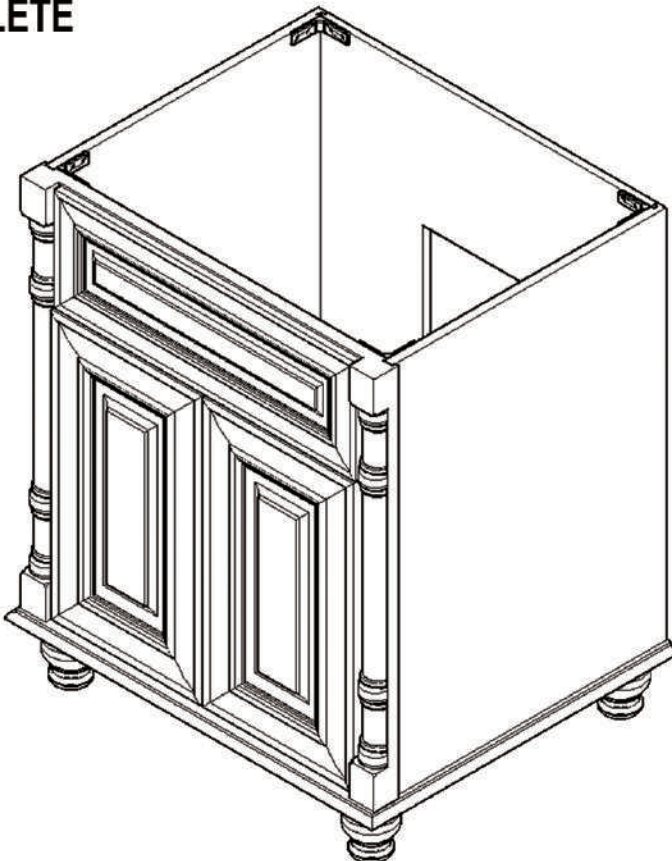
STEP 9



- ▶ Last step, install the doors to the face frame using provided hinge shown on # ❶ and # ❷. Using 5/8" Philips screws, attach one end of the hinge to the pre-drilled hole on the door and attach the other end of the hinge to the pre-drilled hole on the face frame.

- ▶ 进行最后一步，安装门板，参照图❶所示预留眼，用5/8" 螺丝钉将铰链与门板固定；再参照图❷将铰链另一端与前框预留眼用5/8" 螺丝钉拧紧固定...至此卫浴柜安装完成

COMPLETE





More Information www.niturra.com