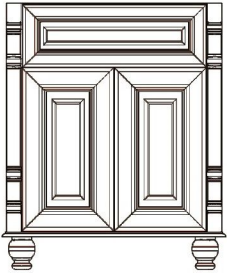
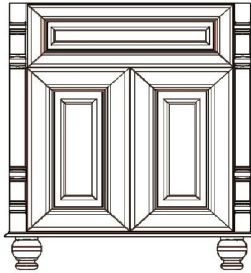


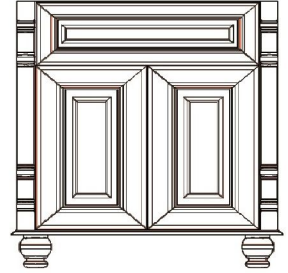
ASSEMBLY GUIDE



V2421
24"



V3021
30"

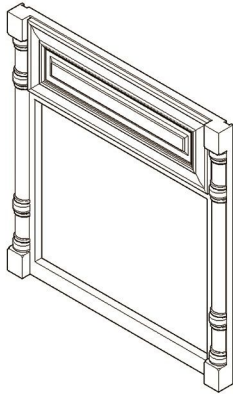


V3621
36"

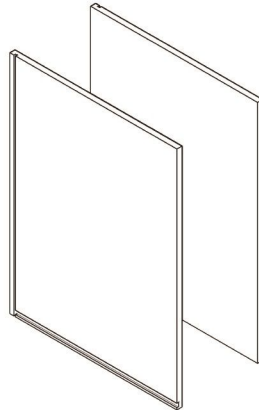
NOTICE

- Please read this assembly guide thoroughly and carefully before assembly
- Please ensure your assembly area is clear of any debris or sharp objects which could scratch or damage the cabinet.
- Our cabinets are treated with paint, which can be fire hazardous, please avoid storing in areas with high temperature or near the fire.
- Please take caution with small parts inside the package, losing or misplacing them could affect your overall assembly
- We recommend using power tools (ie: drill, pneumatic nail gun, etc) for your assembly. This will facilitate your assembly experience.
- In event of missing or damaged/defective parts not caused by wear-and-tear, please contact our authorized dealer for assistant and we apologize for any inconvenience.
- If you are not a professional or have no prior experience in cabinet assembly. We advise excessive caution and follow closely to this assembly guide.

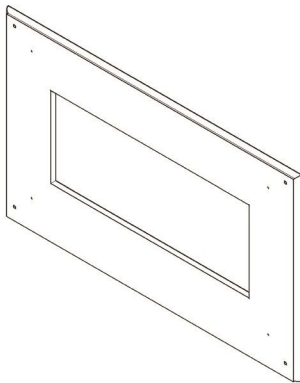
MATERIAL LIST



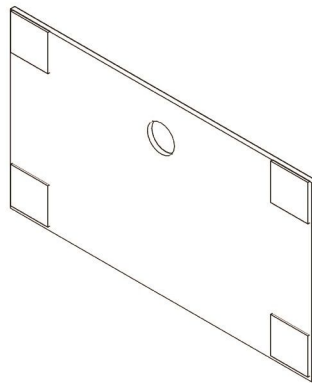
Face Frame



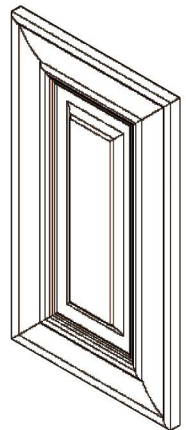
Side Panel



Decorative Bottom



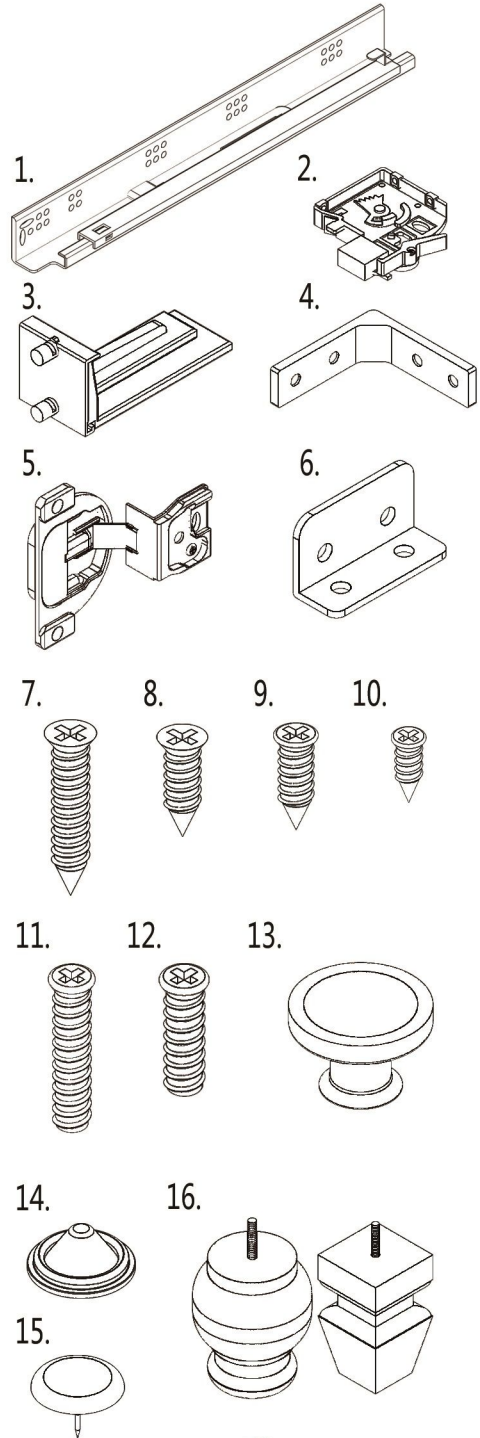
Bottom Panel



Door Face

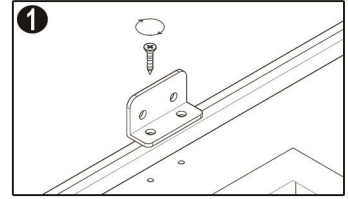
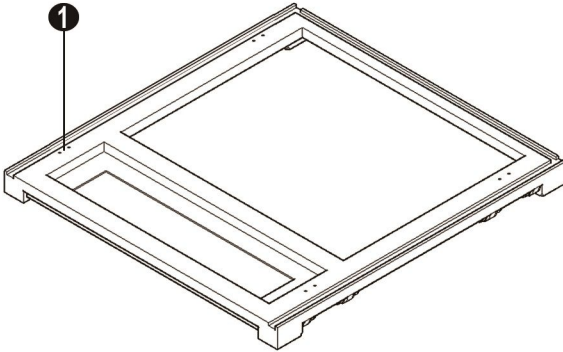
MATERIAL LIST

NO.	Item	Quantity			
		24"	30"	36"	48"
1	Drawer Glide	0	4	4	12
2	Drawer Glide Connector	0	4	4	12
3	Back Brackets	0	4	4	12
4	Support Brackets	4	4	4	4
5	Door Hinge	4	2	4	4
6	L-Shape Connector Clip	4	6	6	6
7	11/8"Philips Screw	4	4	4	4
8	5/8"Philips Screw	20	18	24	32
9	1/2"Philips Screw	24	24	24	24
10	1/4"Philips Screw	0	8	8	24
11	11/4"Machine Screw	0	2	2	6
12	7/8"Machine Screw	3	2	3	3
13	Knob	3	4	5	9
14	Bumpers	4	6	8	16
15	Leg Pad	4	4	4	4
16	Leg(■ or ●)	4	4	4	4



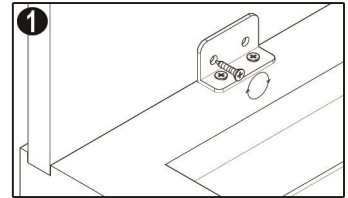
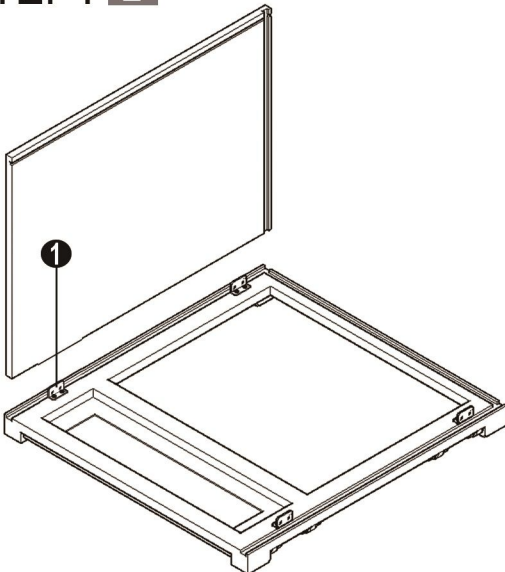
• Items 11, 12, 13 are not provided in this product , please don' t forget to have them ready prior to your assembly.

STEPT 1



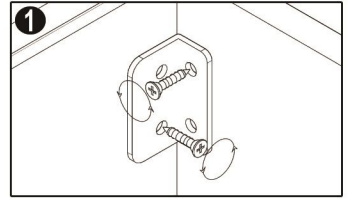
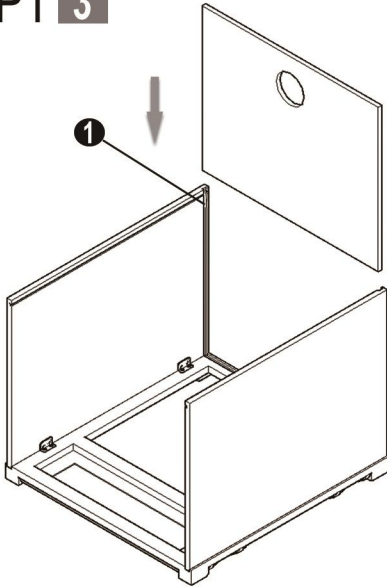
- ▶ Place the face frame in a face down position to a flat surface. Secure the L-Shape connector clip with 1/2" Philips screws to the pre-drilled holes # ❶
- ▶ 将前框正面朝下放置于水平地面，然后在五金包内找到直角角码，用 $\frac{1}{2}$ " 圆头螺丝钉与❶中预留眼固定，同理将其余三个直角角码固定好

STEPT 2



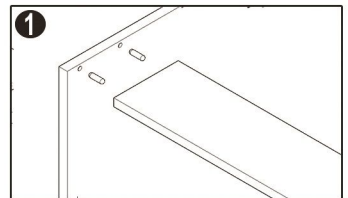
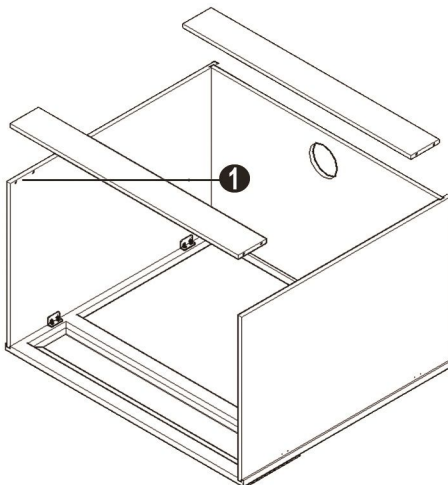
- ▶ As show in this picture, slide the side panel into the face frame's groove located on the left or right. Then, secure the side panel to the L-shape connector clip #❶ using 1/2" Philips screws. Repeat this step for the other side panel.
- ▶ 如图中侧板有槽面朝内，并插入前框侧板槽中，参考图❶用 $\frac{1}{2}$ " 圆头螺丝钉固定侧板；同理将另外一块侧板用同样方法固定好

STEP 3



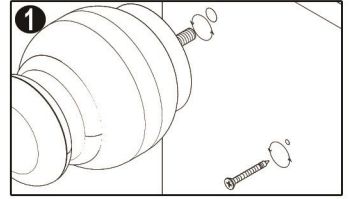
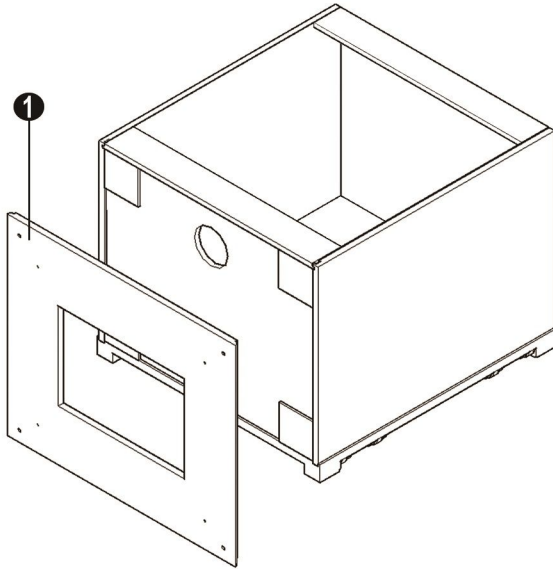
- ▶ After securing both side panels, slide the bottom panel to both side panels' grooves and make sure its fully inserted. Then secure the bottom panel with the side panels using a L-shape connector clip. Please repeat this step for the opposite side.
- ▶ 安装完两块侧板后，取出底板（如图所示），顺着侧板插入，并轻拍入槽点，使完全嵌入槽内；之后如图 ❶ 所示，在侧板与底板交接处任意位置通过直角码用 $\frac{1}{2}$ " 圆头螺丝钉固定，另一侧同理

STEP 4



- ▶ Find the R=6mm wood dowel pins from the accessory bag. Follow and insert the pins into the side panels first, and then connect it with the back bridge panel.
- ▶ 请在五金包内找到R=6mm的木肖，根据图 ❶ 所示务必先将其插入侧板槽内，再将拉带与侧板连接

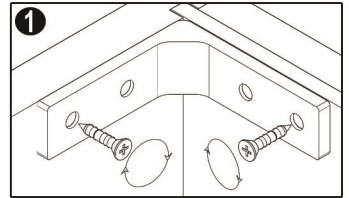
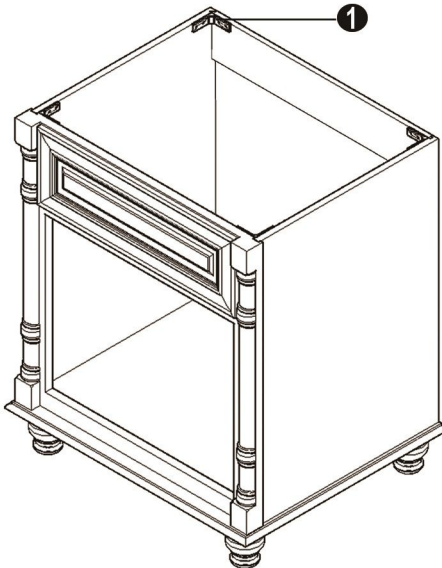
STEP 5



► Secure the decorative bottom panel to the bottom panel previously installed. Secure them using 1 1/8" Philips screws to the pre-drilled holes on the back panel. Then installed the cabinet legs to the decorative bottom panel.

► 背板固定后，取出底装饰板（如图示），与底板对其后，按照 ❶ 所示，用 1/8" 螺丝钉与底板预留眼固定；踢脚采用子母螺丝结构，如 ❶ 所示顺时针旋转拧紧即可

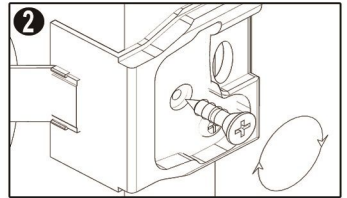
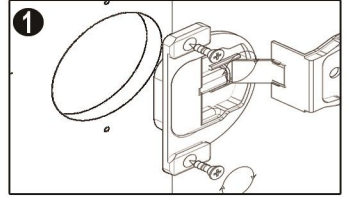
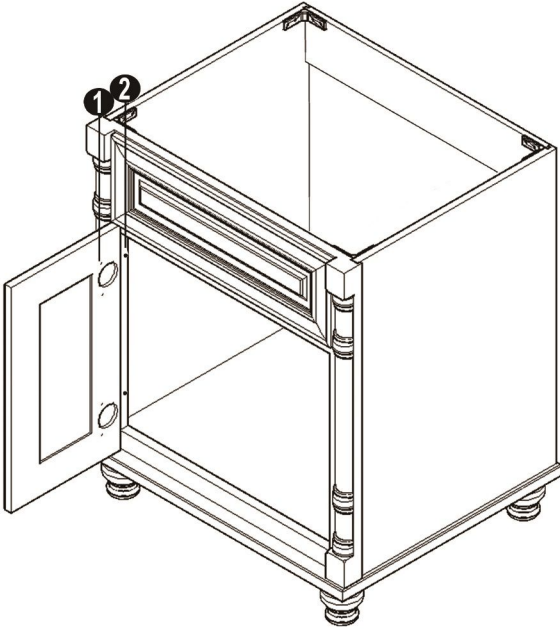
STEP 6



► Turn the cabinet box to the standing position. Secure the top four corners using the "Support Brackets". Use 5/8" Philips screws. Two screws per bracket will be enough.

► 踢脚安装好后，将其立放，在五金包内取出柜体连接件，如 ❶ 图示，使其与柜体顶端齐平，用 5/8" 螺丝钉使其与柜体固定，可以如 ❶ 图只用两个螺丝，也可四个全用

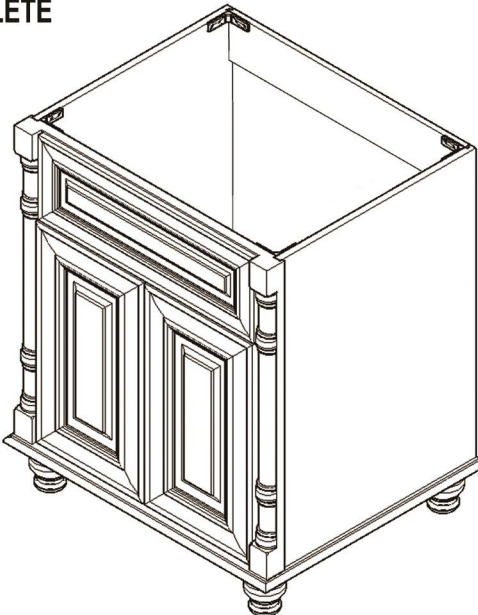
STEP 9



- ▶ Last step, install the doors to the face frame using provided hinge shown on # ❶ and # ❷. Using 5/8" Philips screws, attach one end of the hinge to the pre-drilled hole on the door and attach the other end of the hinge to the pre-drilled hole on the face frame.

- ▶ 进行最后一步，安装门板，参照图❶所示预留眼，用5/8" 螺丝钉将铰链与门板固定；再参照图❷将铰链另一端与前框预留眼用5/8" 螺丝钉拧紧固定...至此卫浴柜安装完成

COMPLETE





For more information and other products

visit

www.niturra.com